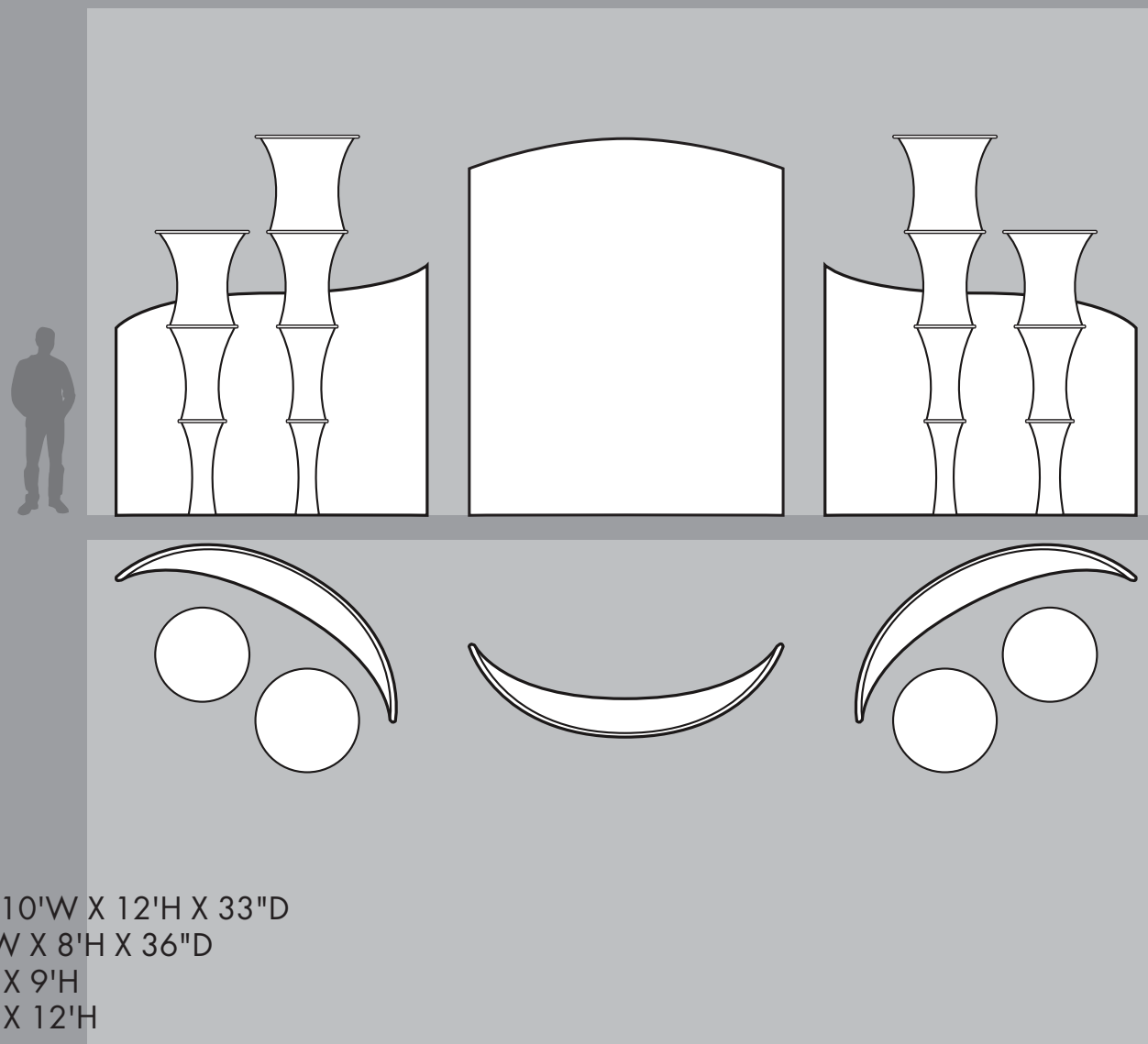


STAGE SIZE - 34'w x 16'h x 16'd

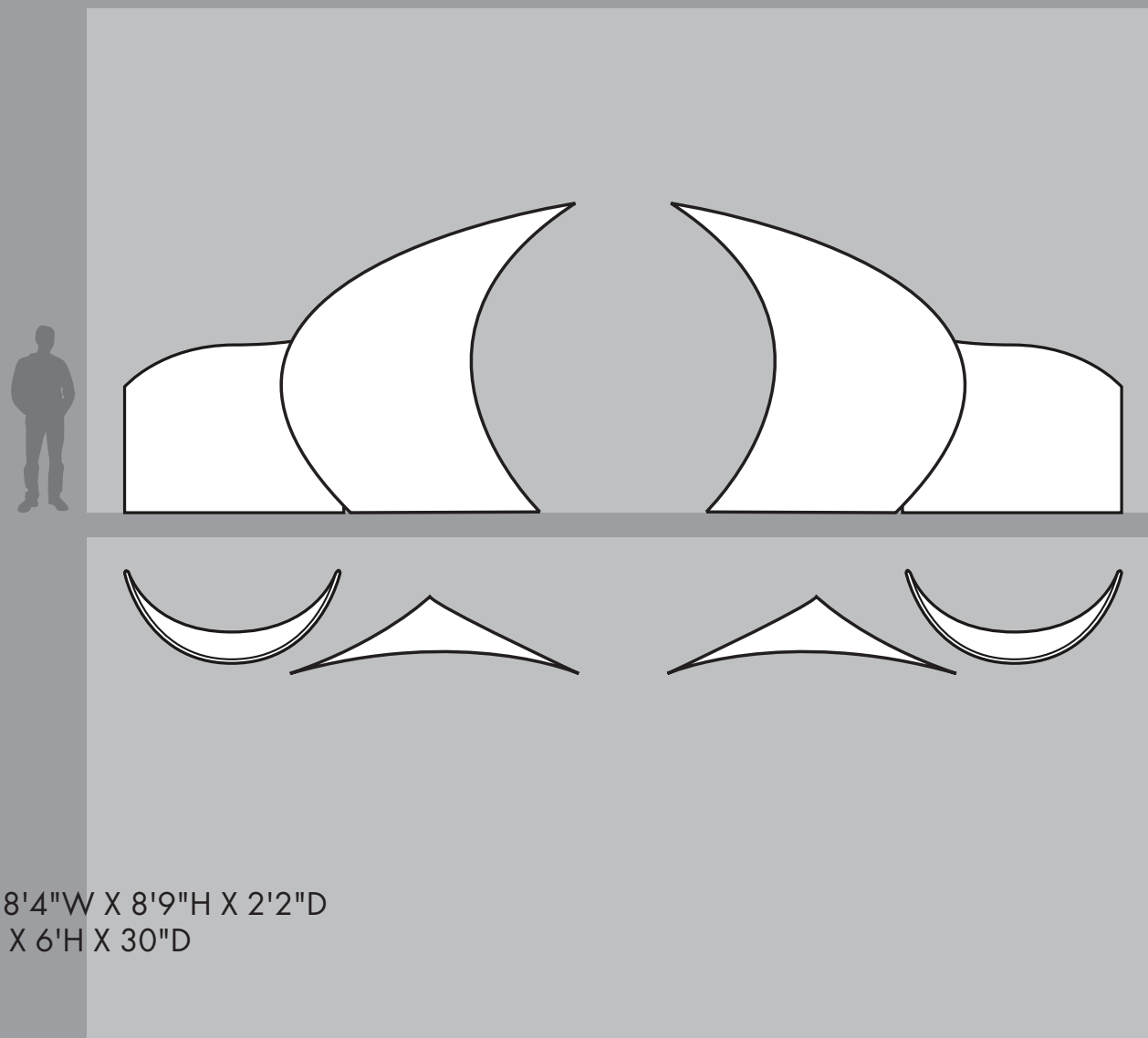


- (1) WAVE WALL TALL - 10'W X 12'H X 33"D
- (2) LARGE SLOPE - 10'W X 8'H X 36"D
- (2) STALAGTITE - 3'DIA X 9'H
- (2) STALAGTITE - 3'DIA X 12'H

Any and all rights (including, without limitation, copyright, design patent, use patent and trademark) in and to all designs, concepts, renderings, or graphics (collectively, "Design") represented in this document were created by Pink Inc. and remain the sole and exclusive property of Pink Inc. Use of any such Design by the recipient without required purchase is strictly prohibited.

©2010

STAGE SIZE - 34'w x 16'h x 16'd

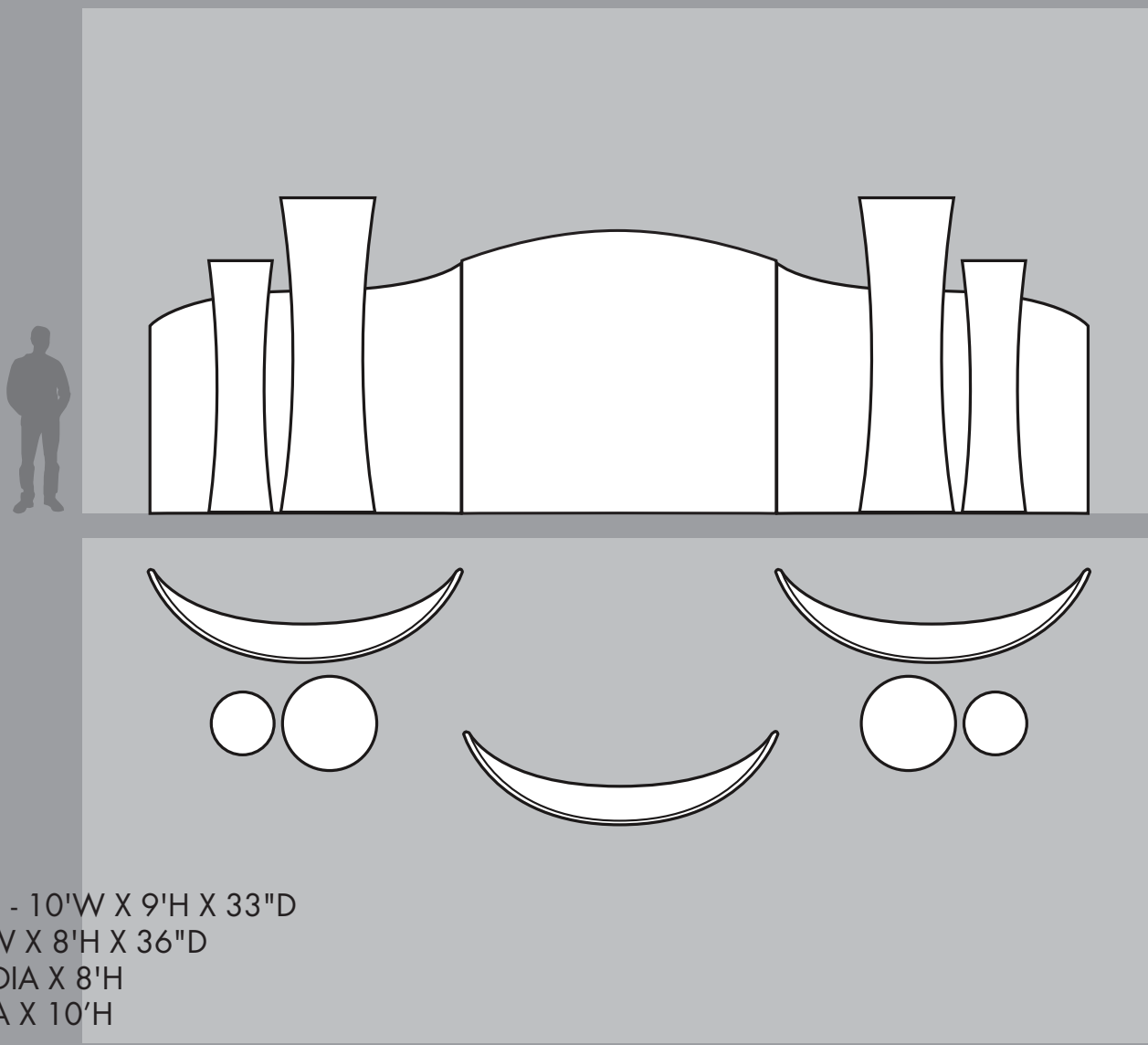


- (2) CRESCENT SMALL - 8'4"W X 8'9"H X 2'2"D
- (2) SMALL SLOPE - 7'W X 6'H X 30"D

Any and all rights (including, without limitation, copyright, design patent, use patent and trademark) in and to all designs, concepts, renderings, or graphics (collectively, "Design") represented in this document were created by Pink Inc. and remain the sole and exclusive property of Pink Inc. Use of any such Design by the recipient without required purchase is strictly prohibited.

©2010

STAGE SIZE - 34'w x 16'h x 16'd

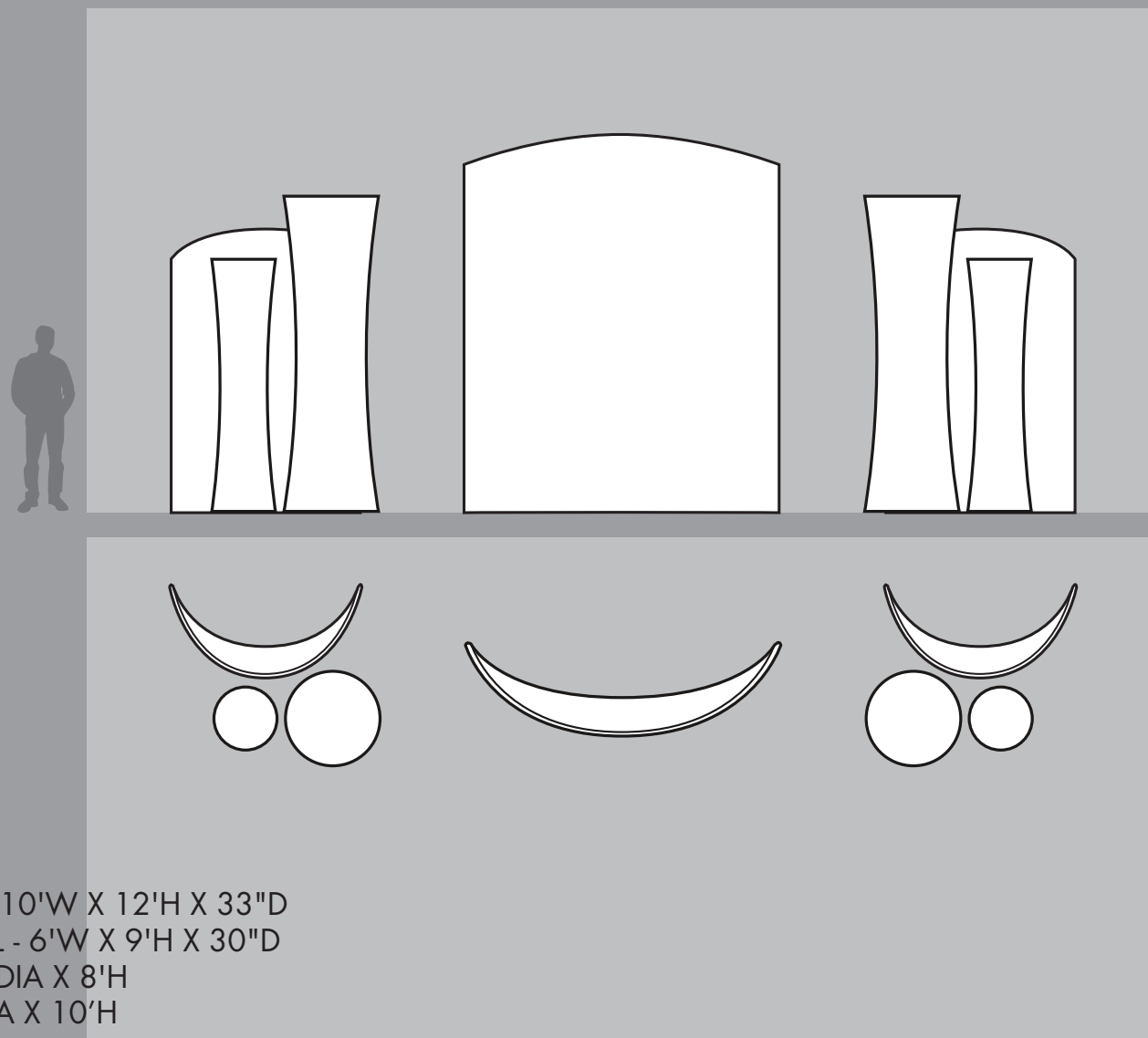


- (1) WAVE WALL LARGE - 10'W X 9'H X 33"D
- (2) LARGE SLOPE - 10'W X 8'H X 36"D
- (2) PILLAR MEDIUM - 2'DIA X 8'H
- (2) PILLAR LARGE - 3'DIA X 10'H

Any and all rights (including, without limitation, copyright, design patent, use patent and trademark) in and to all designs, concepts, renderings, or graphics (collectively, "Design") represented in this document were created by Pink Inc. and remain the sole and exclusive property of Pink Inc. Use of any such Design by the recipient without required purchase is strictly prohibited.

©2010

STAGE SIZE - 34'w x 16'h x 16'd

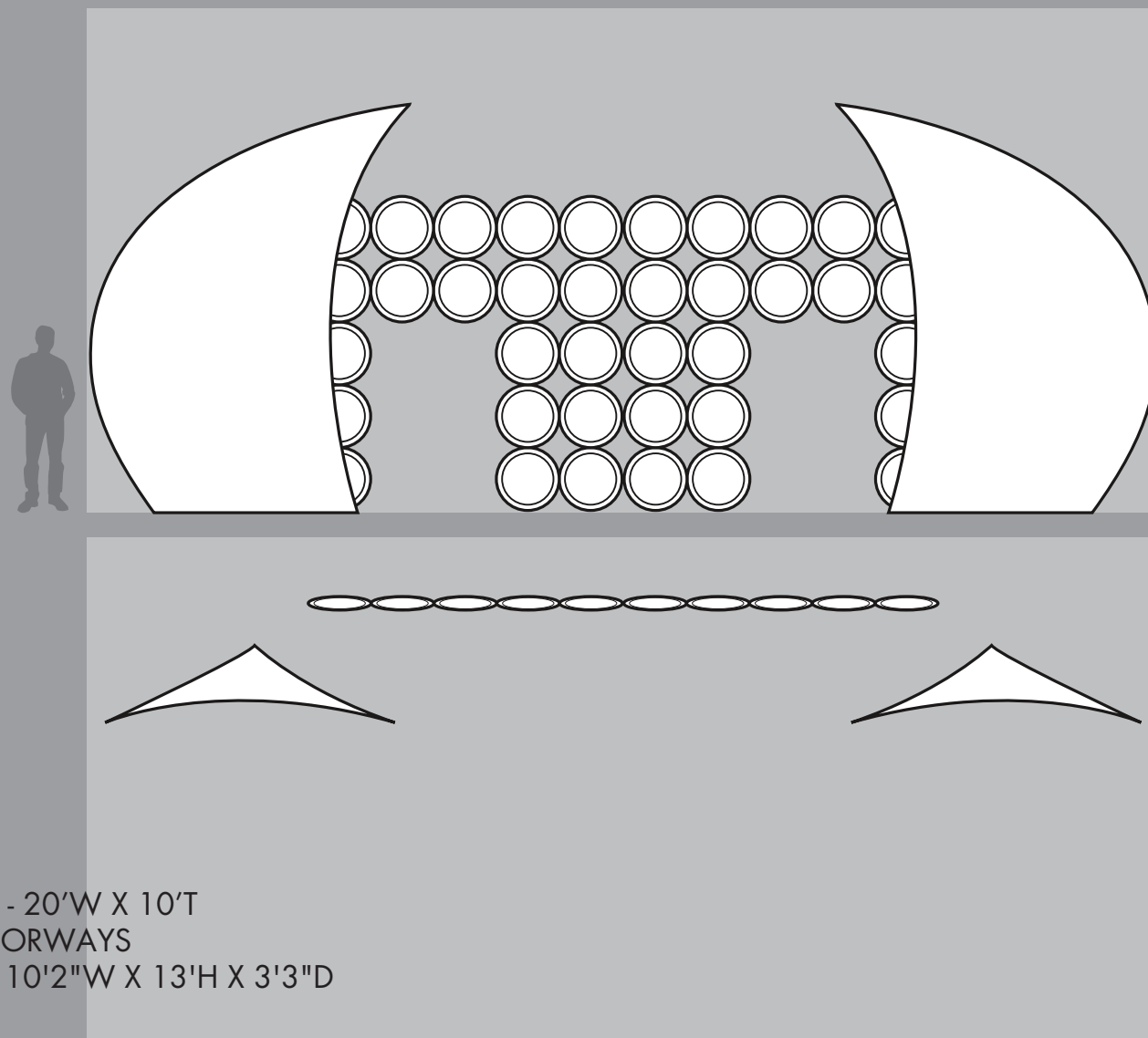


- (1) WAVE WALL TALL - 10'W X 12'H X 33"D
- (2) WAVE WALL SMALL - 6'W X 9'H X 30"D
- (2) PILLAR MEDIUM - 2'DIA X 8'H
- (2) PILLAR LARGE - 3'DIA X 10'H

Any and all rights (including, without limitation, copyright, design patent, use patent and trademark) in and to all designs, concepts, renderings, or graphics (collectively, "Design") represented in this document were created by Pink Inc. and remain the sole and exclusive property of Pink Inc. Use of any such Design by the recipient without required purchase is strictly prohibited.

©2010

STAGE SIZE - 34'w x 16'h x 16'd

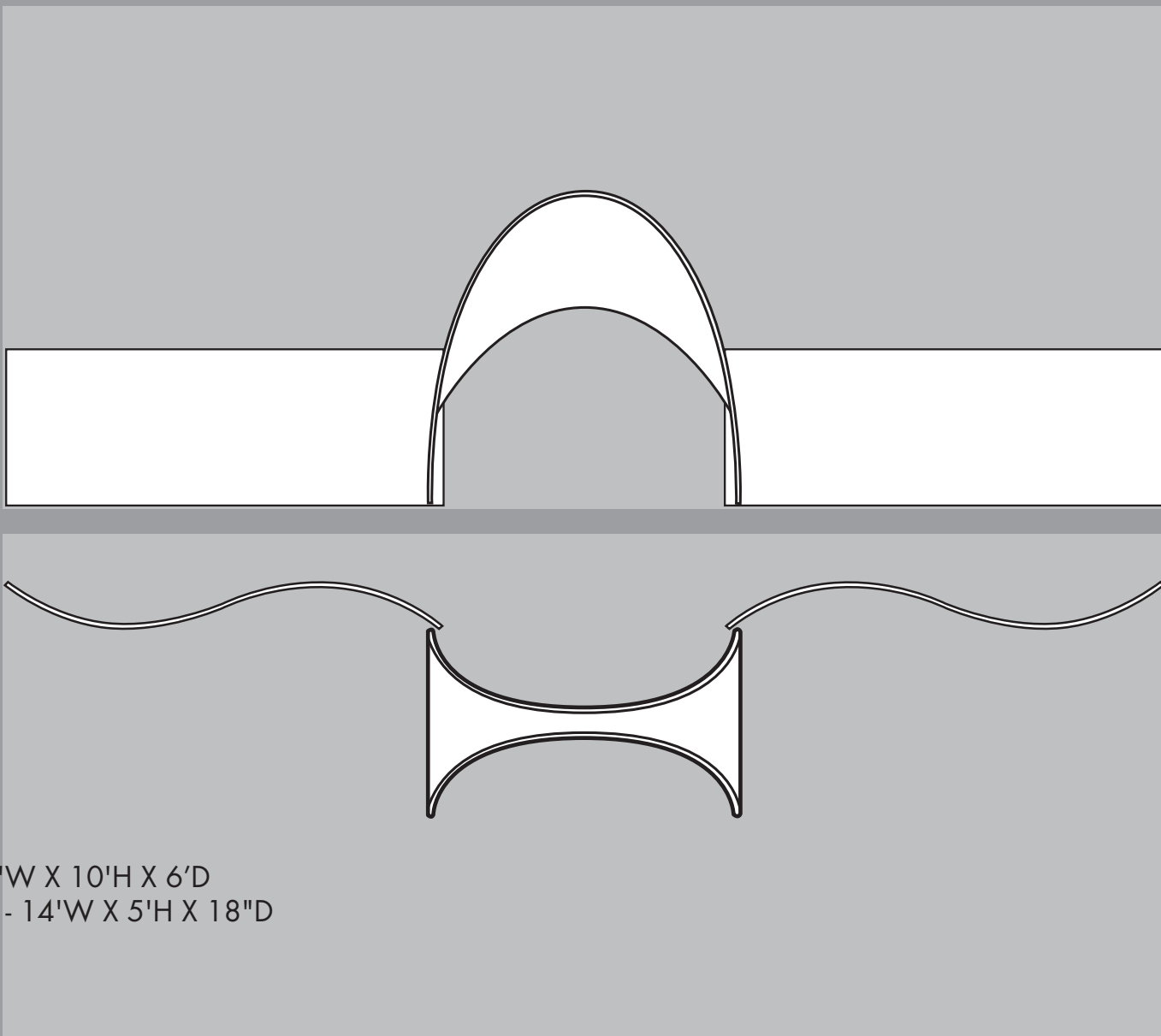


- (1) CIRCLE SURROUND - 20'W X 10'T  
WITH (2) 4'X6' DOORWAYS
- (2) LARGE CRESCENT - 10'2"W X 13'H X 3'3"D

Any and all rights (including, without limitation, copyright, design patent, use patent and trademark) in and to all designs, concepts, renderings, or graphics (collectively, "Design") represented in this document were created by Pink Inc. and remain the sole and exclusive property of Pink Inc. Use of any such Design by the recipient without required purchase is strictly prohibited.

©2010

STAGE SIZE - 36'w x 16'h x 16'd

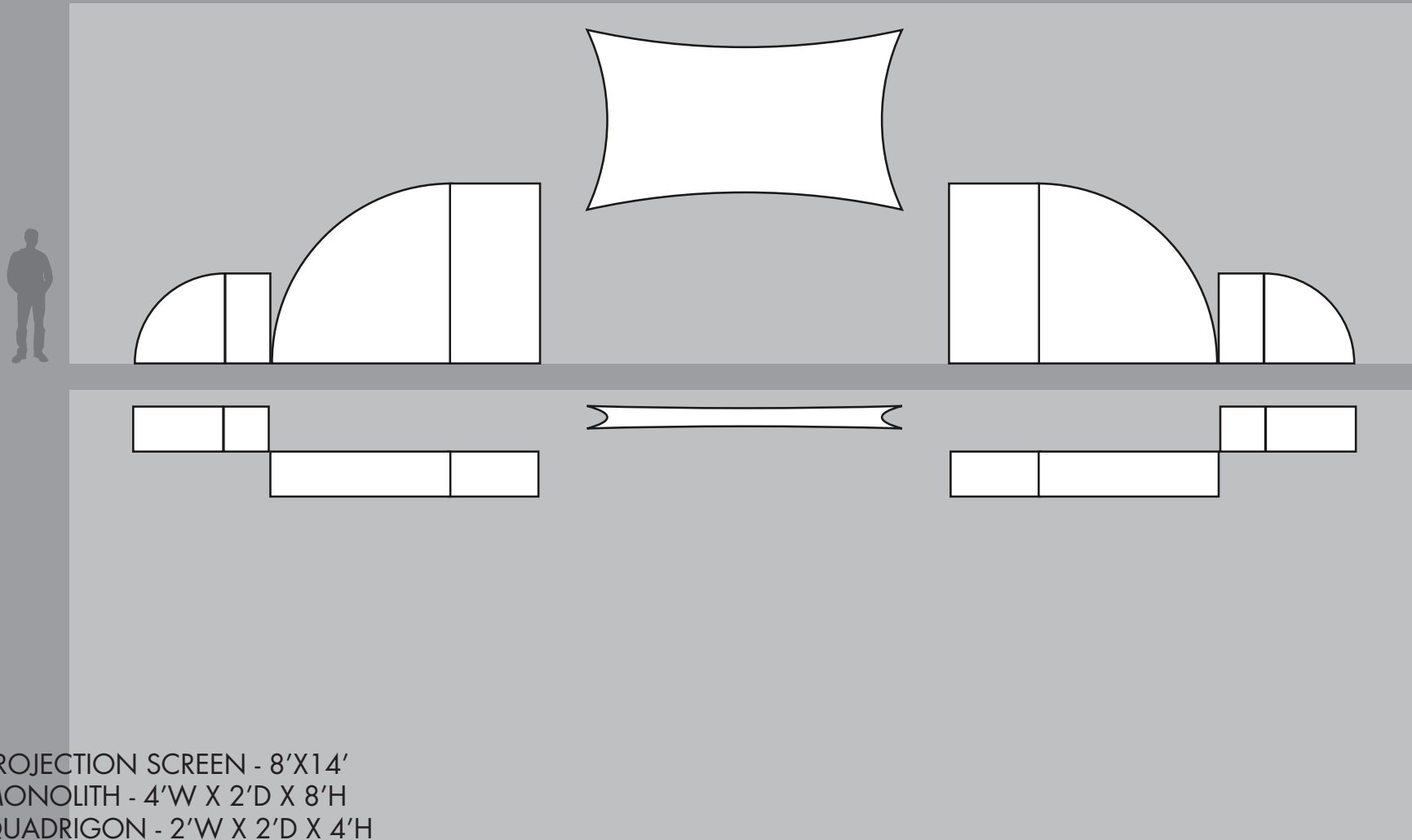


- (1) SCREEN ARCH - 10'W X 10'H X 6'D
- (2) RIPPLE WALL SMALL - 14'W X 5'H X 18"D

Any and all rights (including, without limitation, copyright, design patent, use patent and trademark) in and to all designs, concepts, renderings, or graphics (collectively, "Design") represented in this document were created by Pink Inc. and remain the sole and exclusive property of Pink Inc. Use of any such Design by the recipient without required purchase is strictly prohibited.

©2010

STAGE SIZE - 60'w x 16'h x 20'd

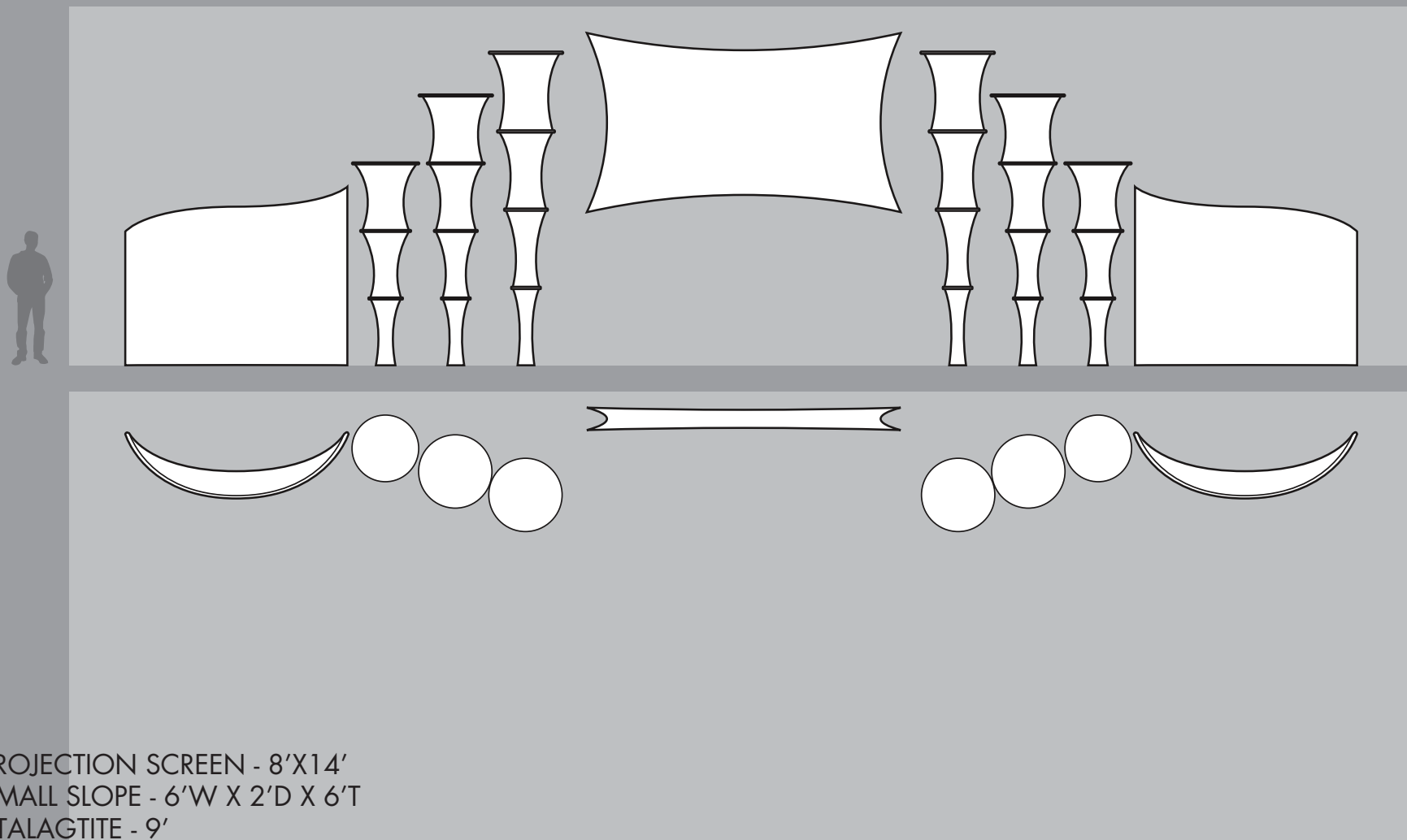


- (1) PROJECTION SCREEN - 8'X14'
- (2) MONOLITH - 4'W X 2'D X 8'H
- (2) QUADRIGON - 2'W X 2'D X 4'H
- (2) TRIGON - 8'W X 2'D X 8'H
- (2) TRIGON - 4'W X 2'D X 4'H

Any and all rights (including, without limitation, copyright, design patent, use patent and trademark) in and to all designs, concepts, renderings, or graphics (collectively, "Design") represented in this document were created by Pink Inc. and remain the sole and exclusive property of Pink Inc. Use of any such Design by the recipient without required purchase is strictly prohibited.

©2010

STAGE SIZE - 60'w x 16'h x 20'd



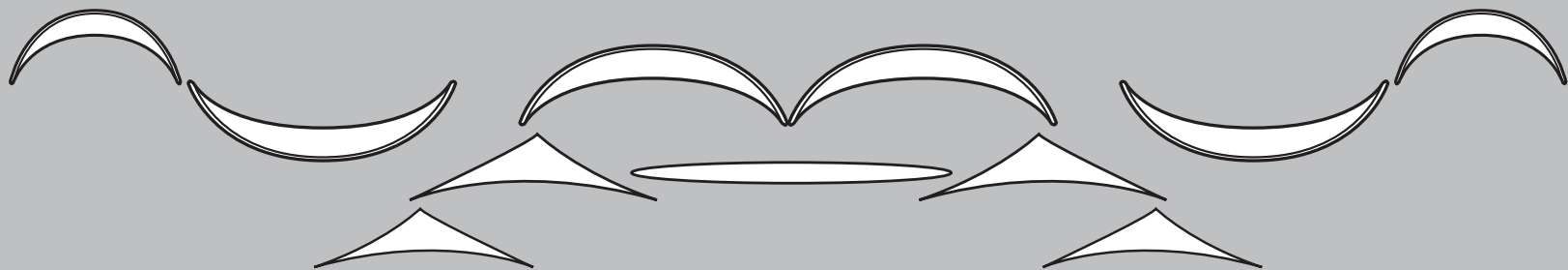
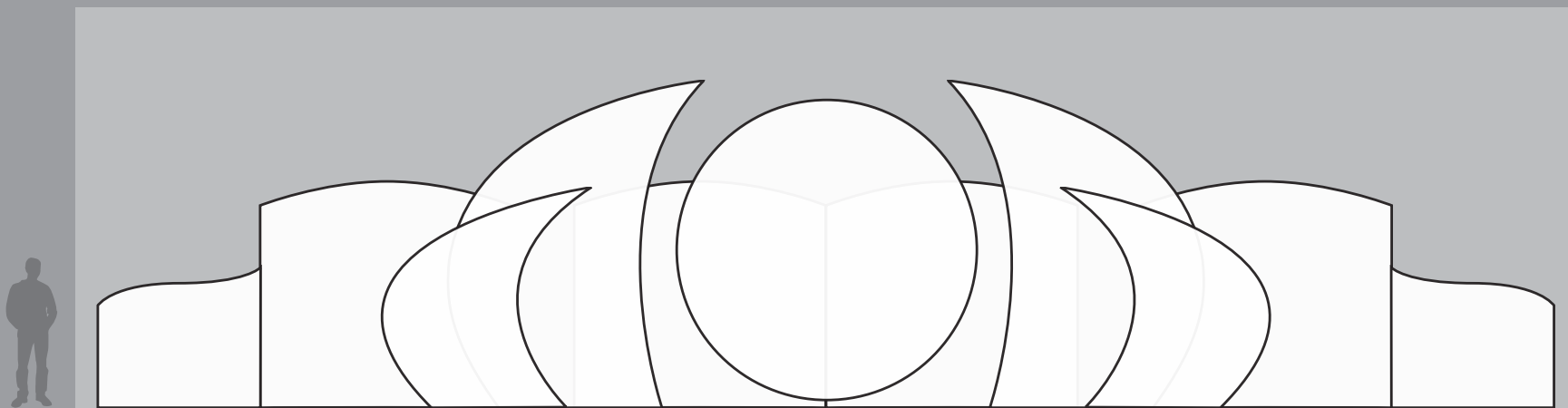
- (1) PROJECTION SCREEN - 8'X14'
- (2) SMALL SLOPE - 6'W X 2'D X 6'T
- (2) STALAGTITE - 9'
- (2) STALAGTITE - 12'
- (2) STALAGTITE - 14'

Any and all rights (including, without limitation, copyright, design patent, use patent and trademark) in and to all designs, concepts, renderings, or graphics (collectively, "Design") represented in this document were created by Pink Inc. and remain the sole and exclusive property of Pink Inc. Use of any such Design by the recipient without required purchase is strictly prohibited.

©2010



STAGE SIZE - 60'w x 16'h x 20'd

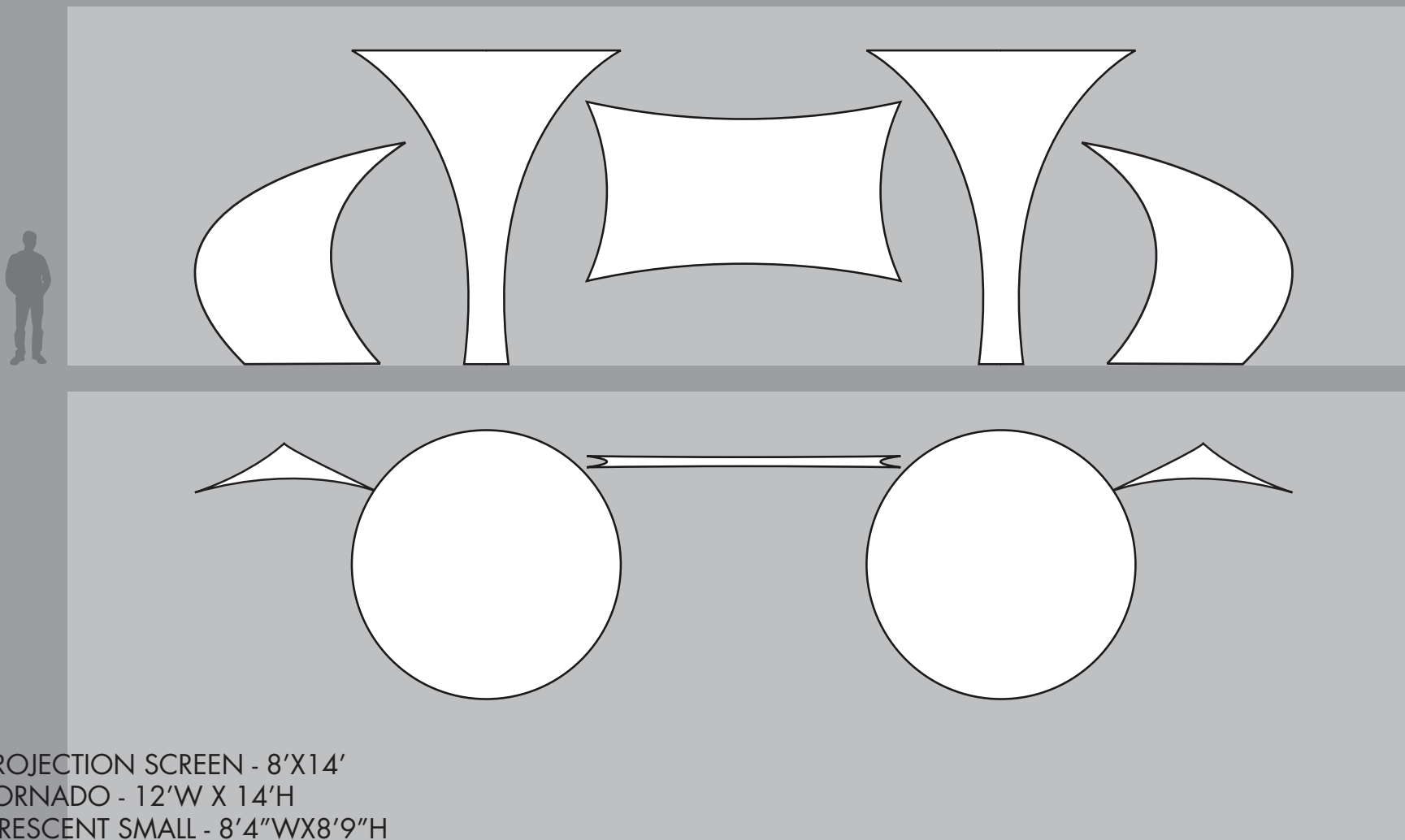


- (1) MOON - 12'X12'
- (2) LARGE CRESCENT - 10'2"W x 13'H x 3'3"D
- (2) SMALL CRESCENT - 8'4"W x 8'9"H x 2'2"D
- (4) WAVE WALL LARGE - 10'W x 9'H x 3'D
- (2) SMALL SLOPE - 7'W x 6'H x 3'D

Any and all rights (including, without limitation, copyright, design patent, use patent and trademark) in and to all designs, concepts, renderings, or graphics (collectively, "Design") represented in this document were created by Pink Inc. and remain the sole and exclusive property of Pink Inc. Use of any such Design by the recipient without required purchase is strictly prohibited.

©2010

STAGE SIZE - 60'w x 16'h x 20'd

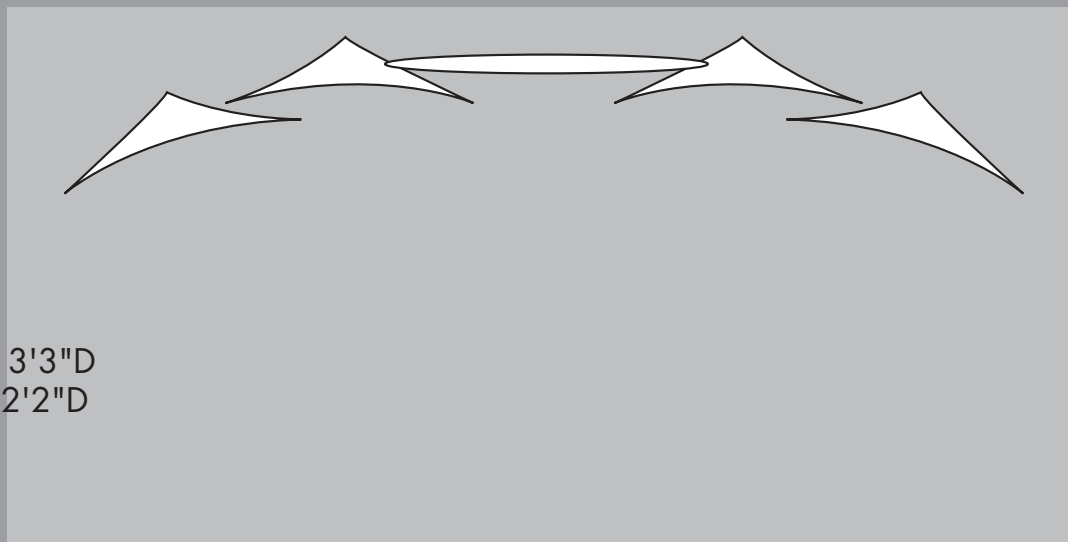
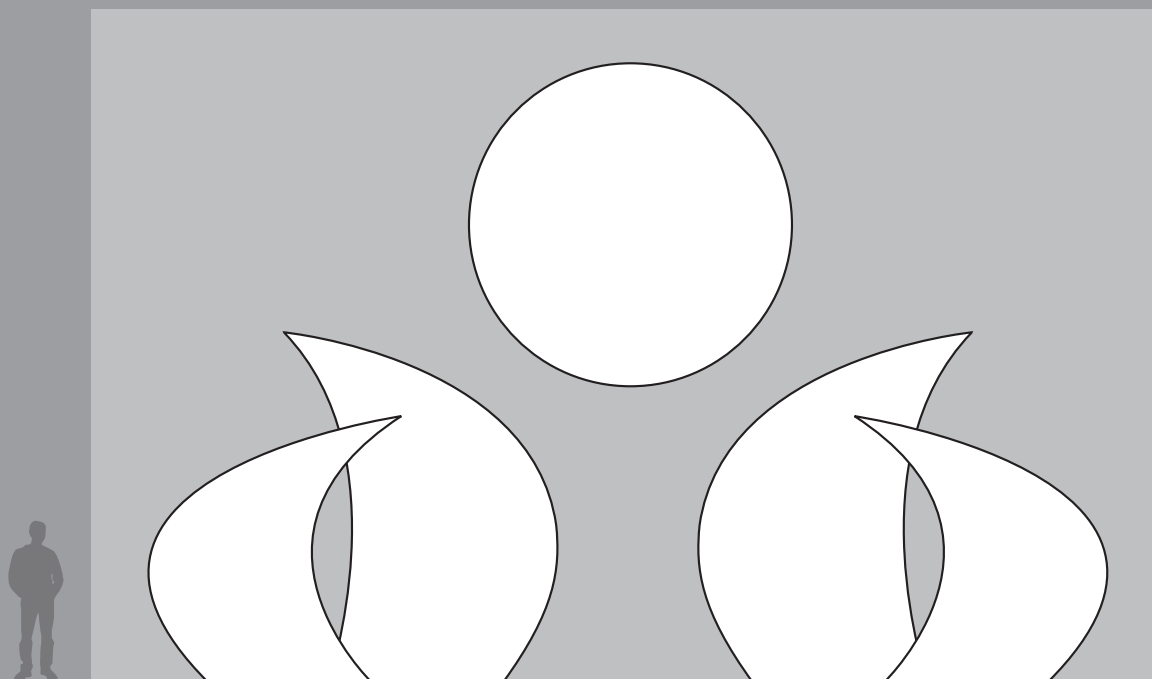


- (1) PROJECTION SCREEN - 8'X14'
- (2) TORNADO - 12'W X 14'H
- (2) CRESCENT SMALL - 8'4"W X 8'9"H

Any and all rights (including, without limitation, copyright, design patent, use patent and trademark) in and to all designs, concepts, renderings, or graphics (collectively, "Design") represented in this document were created by Pink Inc. and remain the sole and exclusive property of Pink Inc. Use of any such Design by the recipient without required purchase is strictly prohibited.

©2010

STAGE SIZE - 40'w x 25'h x 20'd

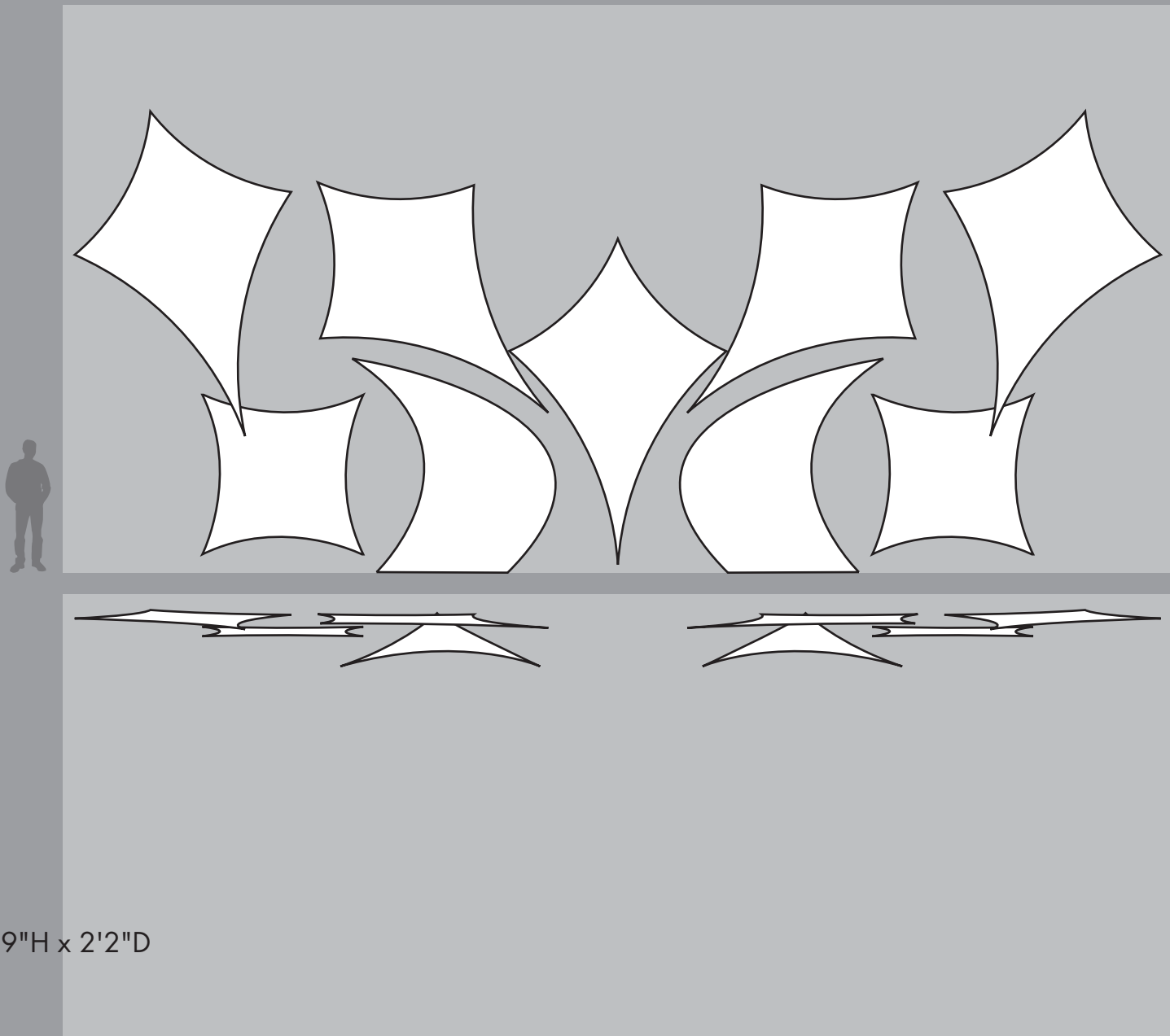


- (2) CRESCENT LARGE - 10'2"W X 13'H X 3'3"D
- (2) CRESCENT SMALL - 8'4"W X 8'9"H X 2'2"D
- (1) MOON - 12'DIA

Any and all rights (including, without limitation, copyright, design patent, use patent and trademark) in and to all designs, concepts, renderings, or graphics (collectively, "Design") represented in this document were created by Pink Inc. and remain the sole and exclusive property of Pink Inc. Use of any such Design by the recipient without required purchase is strictly prohibited.

©2010

STAGE SIZE - 50'w x 25'h x 20'd

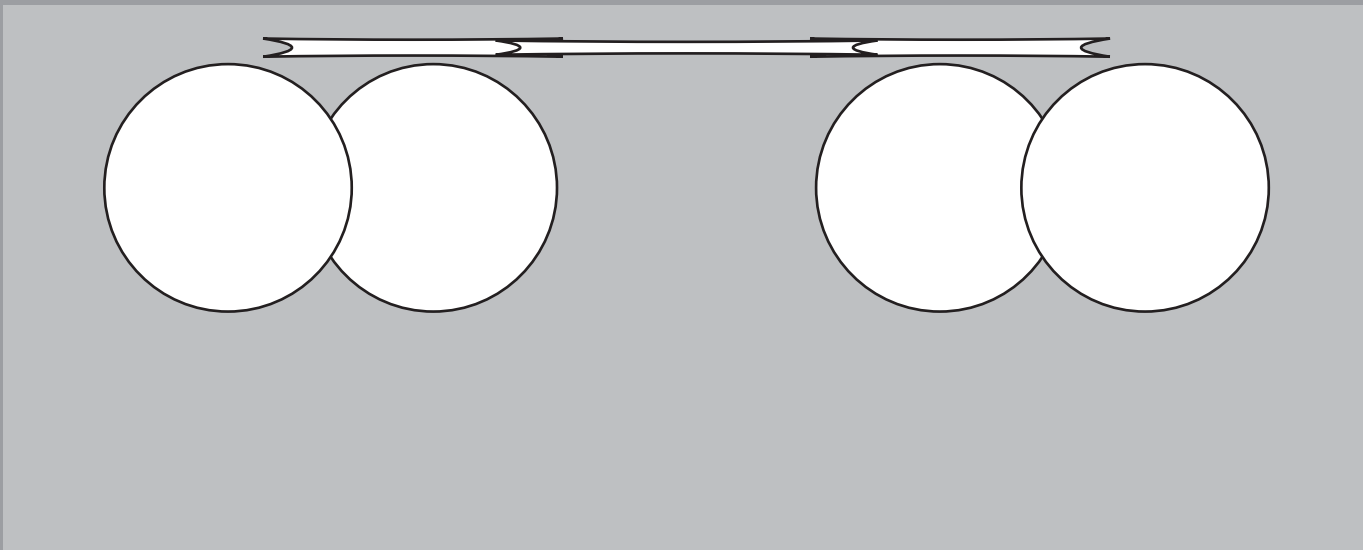
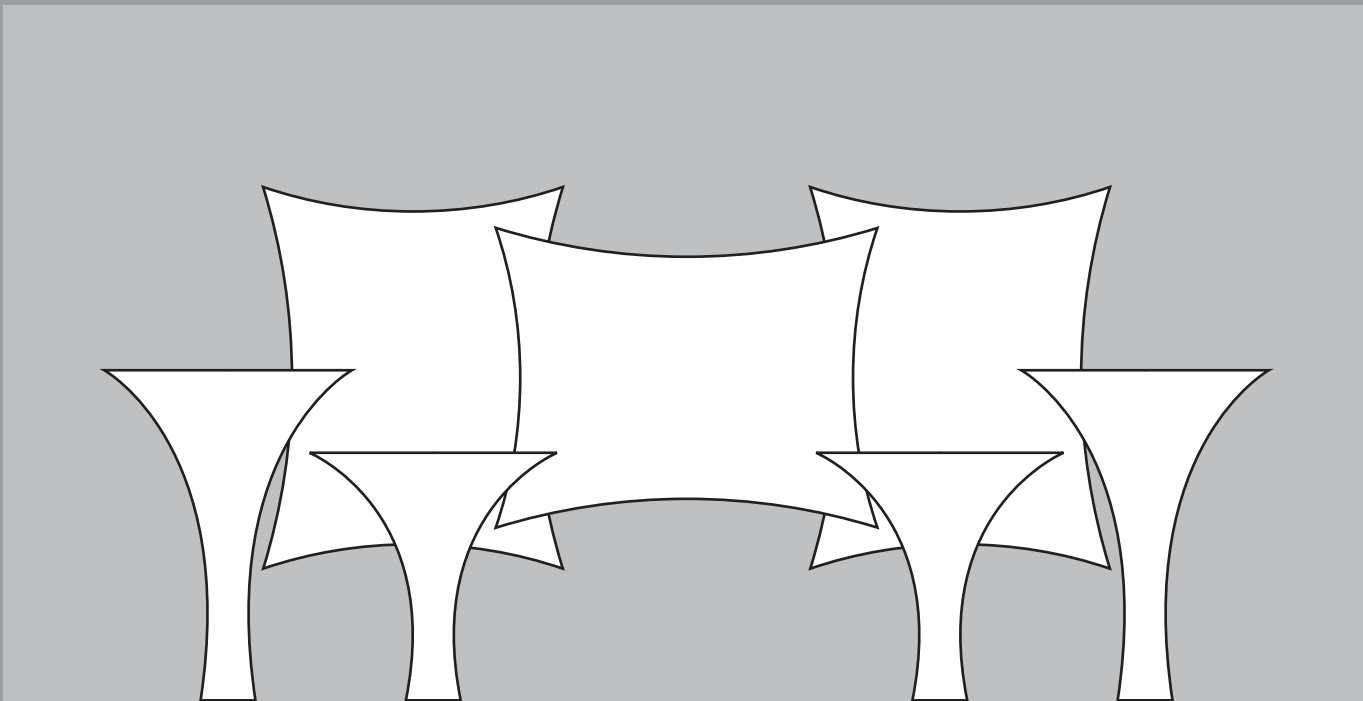


- (5) KITE - 10'X15'
- (2) DIAMOND - 10'X10'
- (2) SMALL CRESCENT - 8'4"W x 8'9"H x 2'2"D

Any and all rights (including, without limitation, copyright, design patent, use patent and trademark) in and to all designs, concepts, renderings, or graphics (collectively, "Design") represented in this document were created by Pink Inc. and remain the sole and exclusive property of Pink Inc. Use of any such Design by the recipient without required purchase is strictly prohibited.

©2010

STAGE SIZE - 50'w x 25'h x 20'd

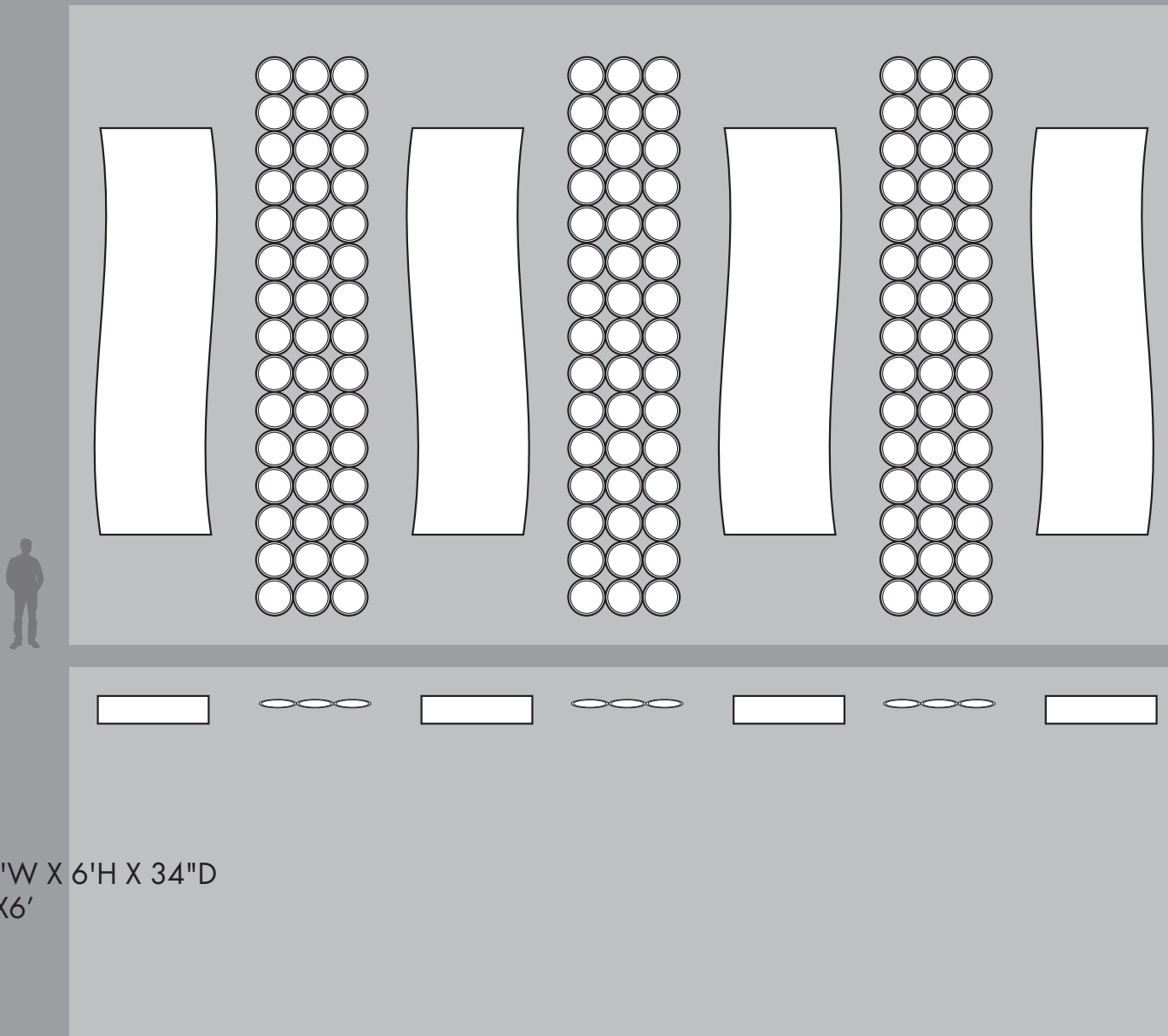


- (3) PROJECTION SCREEN - 11'X14'
- (2) TORNADO - 9'DX9'H
- (2) TORNADO - 9'DX12'H

Any and all rights (including, without limitation, copyright, design patent, use patent and trademark) in and to all designs, concepts, renderings, or graphics (collectively, "Design") represented in this document were created by Pink Inc. and remain the sole and exclusive property of Pink Inc. Use of any such Design by the recipient without required purchase is strictly prohibited.

©2010

STAGE SIZE - 60'w x 35'h x 20'd

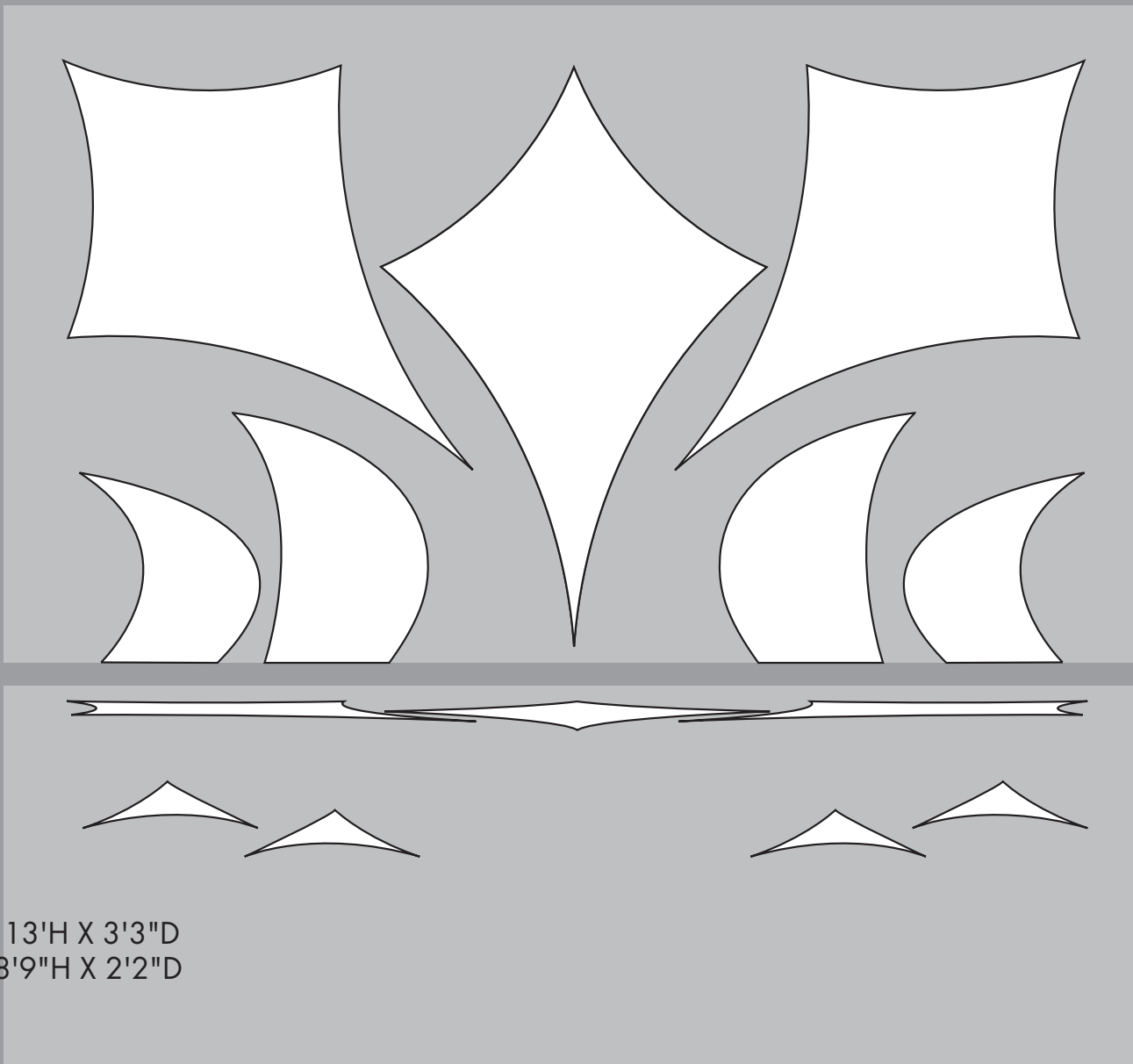


- (4) RIPPPLE WALL LARGE - 22'W X 6'H X 34"D
- (3) CIRCLE SURROUND - 30'X6'

Any and all rights (including, without limitation, copyright, design patent, use patent and trademark) in and to all designs, concepts, renderings, or graphics (collectively, "Design") represented in this document were created by Pink Inc. and remain the sole and exclusive property of Pink Inc. Use of any such Design by the recipient without required purchase is strictly prohibited.

©2010

STAGE SIZE - 60'w x 35'h x 20'd



(3) KITE - 20'X30'

(2) LARGE CRESCENT - 10'2"W X 13'H X 3'3"D

(2) SMALL CRESCENT - 8'4"W X 8'9"H X 2'2"D

Any and all rights (including, without limitation, copyright, design patent, use patent and trademark) in and to all designs, concepts, renderings, or graphics (collectively, "Design") represented in this document were created by Pink Inc. and remain the sole and exclusive property of Pink Inc. Use of any such Design by the recipient without required purchase is strictly prohibited.

©2010